



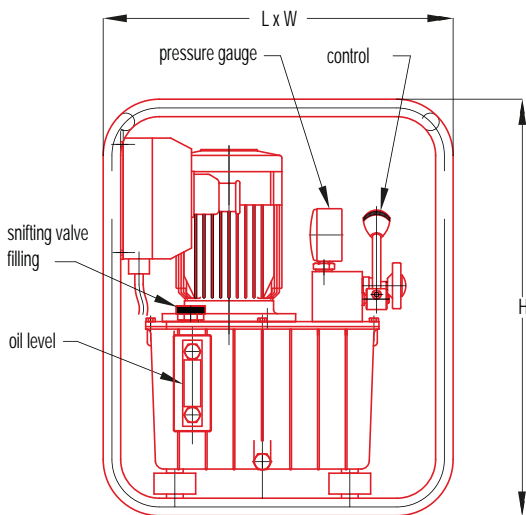
EB.037.F.6.700
with magneto-thermal switch

Specifications

- 0.37 kW three-phase 230/380 V – 50Hz electric motor
- Pressure of 700 bar in continuous operation
- Automatic dual-flow rate pumps:
 - 3 L /min in approach mode up to 100 bar
 - 0.25 L /min in operation up to 700 bar
- Effective oil tank capacity 6 litres
- Adjustable external pressure limiter
- Pressure gauge diameter 63
- 3/8 NPT outlet oil connector
- Tubular protective chassis

On request

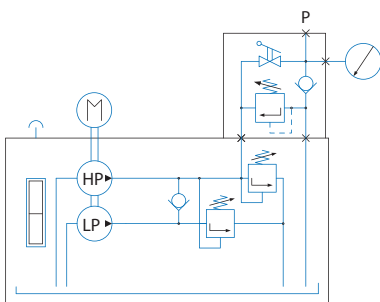
- 230V – 50Hz single-phase electric motor
- Quick couplers with protective caps
- Tanks with different effective capacities
- Specific distribution
- Offset distribution
- Magneto-thermal switch
- Electric cabinet and suspended button-operated unit



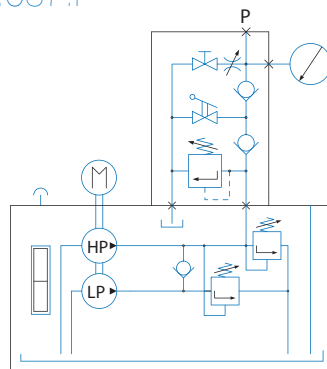
Versions *

- EB.037.U : Single-acting cylinder control, with no load holding
- EB.037.F : Single-acting cylinder control, with load holding, and braking valve
- EB.037.D : Double-acting cylinder control with integrated indexed manual control valve
- EB.037.SE : Single-acting control with electro-control valves and suspended button-operated unit
- EB.037.DE : Double-acting cylinder control with electro-control valves and suspended button-operated unit

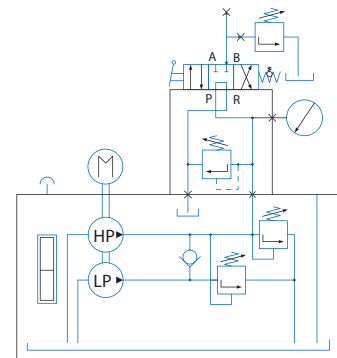
EB.037.U



EB.037.F



EB.037.D



Type	Power in kW	Working pressure in bar	Flow rates l/min		Oil capacity in litres	Size (dimensions in mm)			Mass in Kg
			Approach (100 b)	Working		Length	Width	Height	
EB.037.*.6.700	0,37	700	3	0,25	6	420	390	500	24